

## SPECIFICATIONS

### ENGINE

Type	2.9 CRDi	3.5 V6 DOHC (Unleaded)
Displacement (cc)	2,902	3,497
Bore X Stroke (mm)	97.1 X 98	93 X 85.8
Compression Ratio	19.3	10
Max. Power (kW / rpm)	120 / 3,800	143 / 5,500
Max. Torque (N.m / rpm)	345 / 1,750~3,000	294 / 3,000
Cylinder Block	Iron	Iron
Cylinder Head	Aluminum	Aluminum
Ignition System	Compression Ignition	Distributorless Ignition
Valve System	Rocker Arm	Swing Arm
Fuel System	Common Rail Direct Injection	Multi Point Injection
Fuel Tank Capacity ( liter)	75	

• On leaded fuel engines, power & torque figures vary in accordance with local fuel and climate characteristics.

### DRIVE TRAIN

Type	Manual		Automatic	
Engine	2.9 CRDi	3.5 V6 DOHC	2.9 CRDi	3.5 V6 DOHC
	5-Speed Transaxle with Floor Shift		4-Speed Transaxle with Floor Shift	
Gear Ratio	1st	3.915	3.915	2.804
	2nd	2.126	2.126	1.531
	3rd	1.338	1.338	1.000
	4th	1.000	1.000	0.705
	5th	0.801	0.801	-
	Reverse	4.270	4.270	2.393
Final Gear Ratio	4.222	4.625	4.222	4.625
Clutch Type	Push type		-	
Lubricant Oil Capacity (liter)	3.2	3.2	11.8	10.5

### TRANSFER

Type	Part-Time 4WD (STD)	Full-Time 4WD (OPT)
Gear Ratio	High	1.000
	Low	2.480
Lubricant Oil Capacity (liter)	1.420	

### WHEEL & TIRE

Wheel	Alloy Wheel 7.0J X 16
Tire	255 / 65 R16 106T
Spare Tire	Full Size

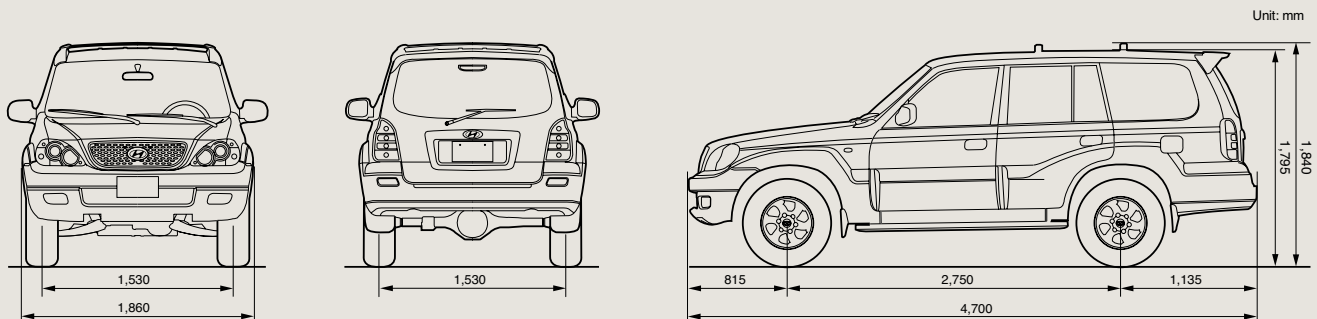
### STEERING

Type	Ball & Nut Type with Power Assist
Steering Wheel	4-Spoke Type / Mg Armature
Overall Steering Gear Ratio	20.5
Min. Turning Radius (m)	5.9

### SUSPENSION

Front	Independent Double Wishbone with Torsion Bar Spring, Anti - Roll Bar
Rear	Rigid Axle 5-Link with Coil Spring, Anti - Roll Bar
Shock absorber	Telescopic Gas, Double Acting Type

## DIMENSIONS



- Some of the equipment illustrated or described in this catalogue may not be supplied as standard equipment and may be available at extra cost.
- Hyundai Motor Co. reserves the right to change specifications and equipment without prior notice.
- The color plates shown may vary slightly from the actual colors due to the limitations of the printing process.
- Please consult your dealer for full information and availability on colors and trim.